



**OPERATOR'S MANUAL**  
P30 / P30L / P30SK PISTOL

QUALITY.  
INNOVATION.  
SERVICE.  
SAFETY.

## Functional elements - left side view



The illustrations on the front and back fold-out pages show the functional elements of the weapon from the left and right sides. The text refers frequently to these illustrations. Opening the fold-out pages while reading will make it easier to understand the text.



Fig. 1a: P30, left side view

- |   |                     |    |                  |
|---|---------------------|----|------------------|
| 1 | Slide               | 7  | Magazine         |
| 2 | Slide release, left | 8  | Magazine release |
| 3 | Hammer with spur    | 9  | Trigger          |
| 4 | Decocking lever     | 10 | Picatinny rail   |
| 5 | Back strap          | 11 | Follower         |
| 6 | Grip shell, left    | 12 | Magazine lips    |



## Table of contents

### Part I Description

<b>1</b>	<b>Using this manual</b> .....	<b>3</b>
1.1	Purpose of this manual .....	3
1.2	Target audience for this manual .....	3
1.3	Warnings, notes and information .....	3
<b>2</b>	<b>Fundamental safety instructions</b> .....	<b>7</b>
2.1	The operator's manual as an integral component of the safety concept	7
2.2	Safety instructions for handling the weapon .....	7
2.3	Safety instructions for firing .....	9
2.4	Exclusion of liability and warranty .....	9
<b>3</b>	<b>Description of the weapon</b> .....	<b>10</b>
3.1	Designation .....	10
3.2	Intended use .....	10
3.3	Illustration .....	10
3.4	Overview of variants .....	11
3.5	Assembly groups .....	12
<b>4</b>	<b>Technical description</b> .....	<b>13</b>
4.1	Cutaway view .....	13
4.2	Safety features .....	14
4.3	Functional elements .....	15
4.4	Trigger variants .....	16
4.5	Sequence of functions for firing .....	18
<b>5</b>	<b>Cleaning kit and auxiliary materials</b> .....	<b>19</b>
5.1	Cleaning kit .....	19
5.2	Auxiliary materials .....	20

## Part II Handling

<b>6</b>	<b>Checks</b> .....	<b>.23</b>
6.1	Carrying out a safety check .....	.23
6.2	Carrying out a function check .....	.24
<b>7</b>	<b>Preparations</b> .....	<b>.26</b>
7.1	Adjusting the grip to the hand .....	.26
7.2	Adjusting the sights .....	.28
7.3	Filling the magazine .....	.29
7.4	Preparing the weapon for firing .....	.31
7.5	Additional preparations in unusual climatic conditions .....	.31
<b>8</b>	<b>Operation</b> .....	<b>.32</b>
8.1	Inserting the magazine .....	.32
8.2	Chambering a round .....	.32
8.3	Firing position and aiming .....	.33
8.4	Firing .....	.35
8.5	Removing the magazine .....	.35
8.6	Reloading the weapon .....	.36
8.7	Decocking the weapon .....	.36
8.8	Unloading the weapon .....	.37
8.9	Emptying the magazine .....	.38
<b>9</b>	<b>Cleaning</b> .....	<b>.39</b>
9.1	General instructions for cleaning .....	.39
9.2	Disassembling the weapon .....	.39
9.3	Cleaning the weapon .....	.41
9.4	Assembling the weapon .....	.43
<b>10</b>	<b>Faults: Causes and remedies</b> .....	<b>.44</b>

---

<b>11</b>	<b>Protection, packaging and storage</b> .....	<b>46</b>
11.1	Protecting the weapon .....	46
11.2	Packaging the weapon .....	48
11.3	Storing the weapon .....	48
<b>12</b>	<b>Transport and shipping</b> .....	<b>49</b>
12.1	Preparing the weapon for transport .....	49
12.2	Shipping the weapon .....	49
<b>13</b>	<b>Disposal</b> .....	<b>50</b>



**Part I**

**Description**



## **1 Using this manual**

### **1.1 Purpose of this manual**

The first part of this manual (“Description”) describes the design and function of the weapon, and the second part (“Handling”) describes the handling of the weapon.

### **1.2 Target audience for this manual**

This manual is intended for soldiers, police, security forces, sport shooters, hunters and other persons who are authorised to use this weapon. This manual does not assume extensive technical or weapons-specific knowledge.

### **1.3 Warnings, notes and information**

In order to ensure the greatest possible degree of safety during handling, important information and technical notes are specially highlighted.

### 1.3.1 Warnings and warning levels

Warnings are depicted as follows (example):

<b>⚠ DANGER</b>
<p><b>Risk of death from gunshot wounds!</b></p> <p><b>Accidental discharge may occur when loaded weapon is handled.</b></p> <ul style="list-style-type: none"> <li>› Do not use the weapon until you have read and understood this manual completely.</li> <li>› Follow the safety instructions when handling the weapon.</li> <li>› Carry out a safety check before working on the weapon.</li> </ul>

The following colours and signal words are used in the warnings to indicate various danger levels:

Colour / signal word	Meaning
<b>⚠ DANGER</b>	Direct, imminent danger! Non-compliance will lead to death or extremely serious injury.
<b>⚠ WARNING</b>	Possible imminent danger! Non-compliance could lead to death or serious injury.
<b>⚠ CAUTION</b>	Dangerous situation! Non-compliance could lead to minor injuries.
<b>NOTICE</b>	Non-compliance could lead to damage to property.

### 1.3.2 Symbols used

Symbol	Meaning
	Supplementary information on the weapon, on practical handling of the weapon or on using this manual.
1.	Call to perform an action in a sequence of actions: Here you have to do something!
>	Stand-alone call to perform an action or call to perform an action in a warning: Here you have to do something!
>>	The sequence of actions is not complete, and is continued on the next page: Please turn the page!
•	Bullet point

### 1.3.3 Conventions for illustrations



Illustrations and drawings can vary from your weapon, depending on the model.

The information “right”, “left”, “front” and “back” apply to the weapon as seen in the direction of fire.

Illustrations and their constituent elements support the descriptions in this manual, and are identified as follows:

- The name of an illustration comprises the current page number and a consecutive lower-case letter starting again from “a” on each page, e.g. 5a.
- Calls to perform an action are indicated by upper-case letters enclosed in circles.
- Components relevant to the action are highlighted in blue. Where necessary the components which are indicated by numbers are identified in a legend.
- Motions are indicated by orange arrows.

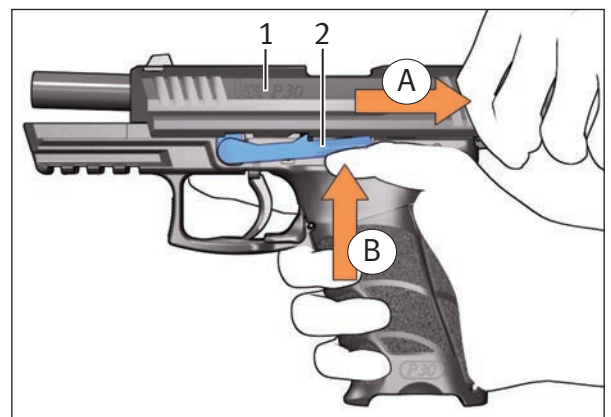


Fig. 5a: Example of an illustration

- 1 Slide
- 2 Slide release

#### 1.3.4 Conventions for cross references

Cross references represent relationships between the text and an illustration or an individual section. Cross references are in *italics* and enclosed in (brackets).

- Example of a cross reference between the text and an illustration: (*5a-2*)  
The cross reference refers to numeral 2 in the illustration numbered 5a on page 5, the slide release.



The text frequently refers to the front and back fold-out pages, which are identified by the Roman numerals I (front) and II (back).

---

- Example of a cross reference between sections: (*Section 1.3.3*)  
The cross reference refers to Section 1.3.3, conventions for illustrations.

## 2 Fundamental safety instructions



---

The weapon has been designed and manufactured according to the latest technical knowledge and the recognised safety rules. Nevertheless, use of the weapon may result in injury or death of the user and third parties, or damage to the weapon and other material property.

---

- › Follow all of the instructions in this operator's manual. Non-compliance may result in injury or death.
- › Do not handle the weapon if you are tired, feel unwell, or have consumed alcohol, drugs or medicines.
- › Follow the applicable regulations for the handling of weapons.

### 2.1 The operator's manual as an integral component of the safety concept



---

The operator's manual is an integral component of the weapon.

---

- › Do not use the weapon until you have read and understood this operator's manual completely.
- › Keep the operator's manual for the entire service life of the weapon.
- › If you receive any supplements or amendments, be sure to add them to the operator's manual.
- › Pass the operator's manual on to any subsequent operator or owner.
- › Do not entrust the weapon to anyone who has not read and understood this operator's manual completely.

### 2.2 Safety instructions for handling the weapon

- › Special care must be taken when handling firearms, because the position and direction of the weapon can be changed very easily.
- › Use the weapon only if it is in perfect technical condition.

- › Treat the weapon as if there were a round in the chamber and the safety released until you have carried out a safety check.
- › Make sure that the weapon is always unloaded when it is handled for purposes other than loading or firing.
- › Use the weapon only for its intended purpose. Do not use the weapon as a club, hammer, pry bar, etc. Using the weapon for other than its intended purpose may result in accidental discharge or damage to the weapon.
- › Do not play with the weapon.
- › Never point the weapon at people when handling or practising with it.
- › Do not touch the trigger when loading, unloading, aiming or handling the weapon in any other way. Always place your trigger finger on the outside of the trigger guard.
- › Do not use excessive force when handling, disassembling, cleaning and assembling the weapon.
- › Avoid dry firing of the hammer. Dry firing of the hammer can lead to premature wear.
- › Store weapon and ammunition separately. Be sure to prevent access to the weapon and ammunition by unauthorised persons, especially children.
- › Do not entrust the weapon to anyone who is not entitled to possess the weapon. Observe applicable regulations.
- › Never give or take the weapon unless it is unloaded and the slide is in open position.
- › Immediately rectify any faults that compromise safety.
- › Exposure to exceptional stresses such as when the weapon is banged or dropped can have a negative effect on safety. After excessive stresses, have the weapon inspected by the manufacturer or trained firearms personnel.
- › Do not rely on safety features. Safety features are no substitute for careful, correct handling of the weapon.
- › Inspect the attachments mounted on the weapon for secure seating, etc. silencer before firing and at regular intervals.
- › When using accessories and ammunition, follow the instructions provided by their respective manufacturers.

## 2.3 Safety instructions for firing

- › Wear hearing protection when firing.
- › Wear safety goggles when firing.
- › Keep your hands out of the path of the slide when firing.
- › Keep the muzzle area clear when firing.
- › Do not shoot at doors, panes of glass, walls, concrete, stone, or smooth surfaces (including water). A bullet can penetrate these objects or be deflected in an unsafe direction.
- › Pull the trigger only if the weapon is pointing at the target and the area behind the target is not endangered.
- › Use only properly loaded, undamaged cartridges of the correct calibre.
- › Only use ammunition which corresponds to the specifications of the C.I.P. or SAAMI standardisation organisations.
- › Do not use +P+ ammunition. Excessive gas pressure cause increased wear and can damage the weapon.
- › Only mount accessories to the Picatinny rail if their weight does not exceed 160 g. Mounting heavier accessories will impair safe functioning and may damage the weapon.
- › Use a lanyard to avoid dropping the weapon to the ground.

## 2.4 Exclusion of liability and warranty

Heckler & Koch GmbH accepts no liability and provides no warranty for incidents arising from:

- non-compliance with this manual,
- incorrect handling of the weapon,
- negligence,
- improper use,
- use of +P+ ammunition,
- modifications, attachments to or conversion of the weapon without the express written consent of Heckler & Koch GmbH, or
- use of accessories or spare parts from other manufacturers without the express written consent of Heckler & Koch GmbH.

### 3 Description of the weapon

The P30 / P30L / P30SK Pistol (9 mm x 19 calibre) is a locked-breech recoil-operated pistol with automatic drop safety catch and hammer safety. The magazine of the P30 / P30L pistol holds 15 cartridges and the magazine of the P30SK pistol holds 10 cartridges.

#### 3.1 Designation

P30 / P30L / P30SK Pistol

#### 3.2 Intended use

The P30 / P30L / P30SK pistol is a hand-gun for engaging targets at a range of up to 50 m.

#### 3.3 Illustration



Fig. 10a: P30 Pistol



Fig. 10b: P30L Pistol



Fig. 10c: P30SK Pistol

## 3.4 Overview of variants

### 3.4.1 P30 / P30L / P30SK

The P30L pistol has a barrel which is longer and the P30SK pistol has a barrel which is shorter than that of the P30 pistol. This means that it has larger dimensions and different ballistic data. Other than that the P30, P30L, P30SK pistols and their variants are identical in handling.

### 3.4.2 Equipment of variants

Feature		P30 P30L P30SK	V1	V2	V3	V4	V6
Spur		•			•		
Cocking piece		•	•	•		•	
Decocking lever		•			•		
Trigger variant	CDA/DA	•					
	SA/DA				•		
	CDA		•	•		•	
	DAO						•

- CDA/DA: Combat Defence Action / Double Action
- SA/DA: Single Action / Double Action
- CDA: Combat Defence Action
- DAO: Double Action Only

### 3.5 Assembly groups

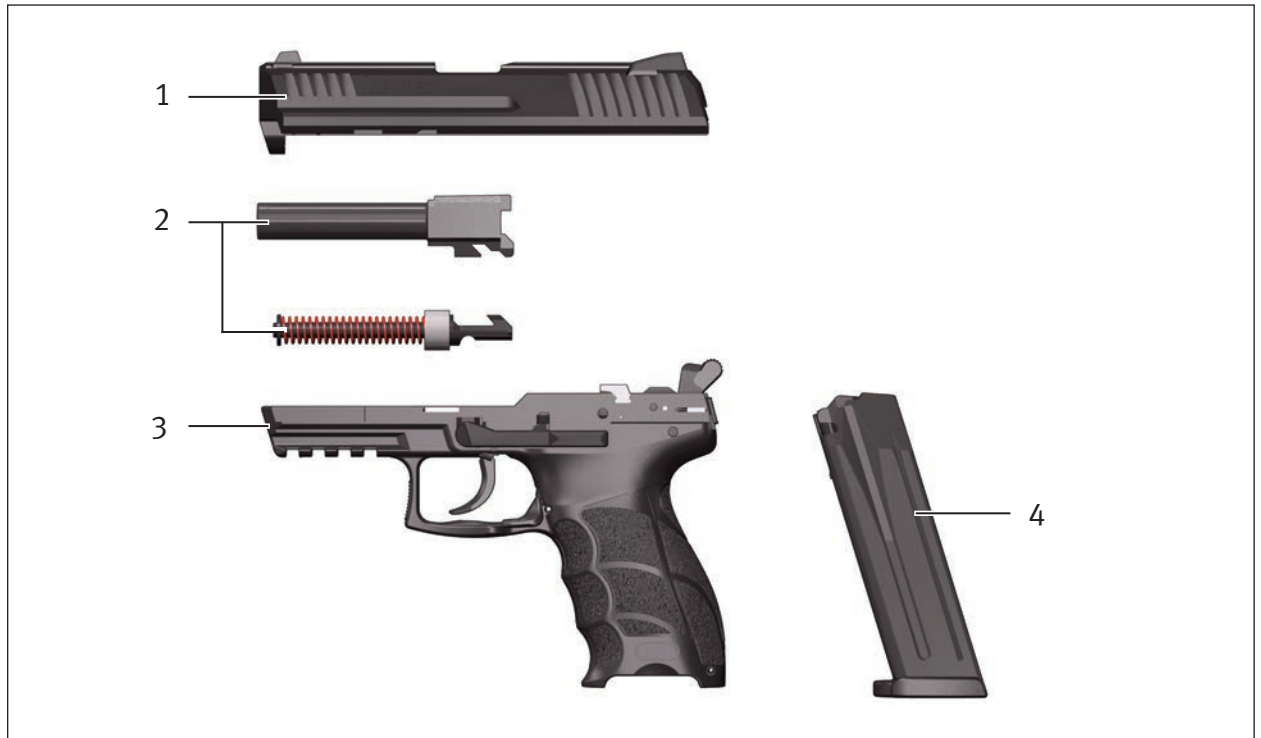


Fig. 12a: Assembly groups

1 Slide

2 Barrel with recoil spring

3 Frame

4 Magazine

## 4 Technical description

### 4.1 Cutaway view



Fig. 13a: CDA trigger variant, cutaway view

- |   |  |    |  |
|---|--|----|--|
| 1 | Control surface on the barrel shoulder | 6  | Hammer catch                                   |
| 2 | Chamber                                | 7  | Cocking piece                                  |
| 3 | Firing pin                             | 8  | Control surface of the recoil spring guide rod |
| 4 | Firing pin safety                      | 9  | Recoil spring                                  |
| 5 | Hammer                                 | 10 | Stop sleeve                                    |

## 4.2 Safety features

### 4.2.1 Hammer safety

The hammer safety prevents accidental operation of the hammer, for example if the weapon is dropped. The hammer catch (13a-6) blocks the hammer (13a-5) and prevents the hammer from striking the firing pin (13a-3). Only when the trigger (1a-9) is pulled all the way back does the hammer catch release the hammer.

### 4.2.2 Firing pin safety

The firing pin safety prevents accidental operation of the firing pin (13a-3), for example if the weapon is dropped. The firing pin safety (13a-4) blocks the firing pin and prevents the firing pin from striking the cartridge primer. Only when the trigger (1a-9) is pulled all the way back does the firing pin safety release the firing pin.

### 4.2.3 Decocking lever

The decocking lever (1a-4) can be used to decock the weapon in a safe manner. For decocking the weapon must be cocked (SA/DA) or partially cocked (CDA/DA).

- SA/DA:  
Pressing the decocking lever releases the cocked hammer (13a-5). The hammer catch (13a-6) catches the hammer in a safe position without touching the firing pin (13a-3).
- CDA/DA:  
Pressing the decocking lever releases the pressure on the cocking piece (13a-7). The hammer remains in its safe initial position.

### 4.2.4 Loaded chamber indicator (optional)

The loaded chamber indicator (11a-2) is marked in red and protrudes to provide a visible and tactile indication whenever there is a cartridge in the chamber (13a-2).

#### 4.2.5 Follower in signal colour (optional)

The follower (*Ia-11*) in signal colour can be recognised immediately when there is no ammunition in the magazine. The follower is black as standard.

### 4.3 Functional elements

The ambidextrous magazine release (*Ia-8*) allows quick changing of magazines by both right and left-handed shooters.

The slide releases (*Ia-2, IIa-7*) serve to hold the slide (*Ia-1*) in the open position and allow reloading when the magazine is fired empty.

The decocking lever (*Ia-4*) can be pressed using the thumb of the shooting hand by either right or left-handed shooters.

The three exchangeable back straps (*Ia-5*) and grip shells (*Ia-6, IIa-9*) of different heights and the ideal grip angle of the weapon allow an ergonomically optimal hand position for any hand size.

The frame (*IIa-8*) is made of fibre reinforced plastic, and is equipped with a Picatinny rail for accessories (*Ia-10*). Optionally the frame can contain a passive transponder for recording weapon-specific data.

The sights consist of a rectangular rear sight (*IIa-1*) and a post front sight (*IIa-5*). Self-illuminating contrast points allow quick, precise target acquisition even in unfavourable light conditions.



---

Depending on the model, the sight may have slightly radioactive components. Observe applicable regulations.

---

## 4.4 Trigger variants

### 4.4.1 CDA/DA

Weapons with the Combat Defence Action / Double Action (CDA/DA) trigger mode are partially cocked after a round is chambered or after a round is fired. This results in a light trigger pull. If a partially cocked weapon is decocked using the decocking lever (16a-2), the trigger pull becomes heavier, because the weapon has to be fired in DA mode on the next round. Alternatively the weapon can also be partially cocked again manually.

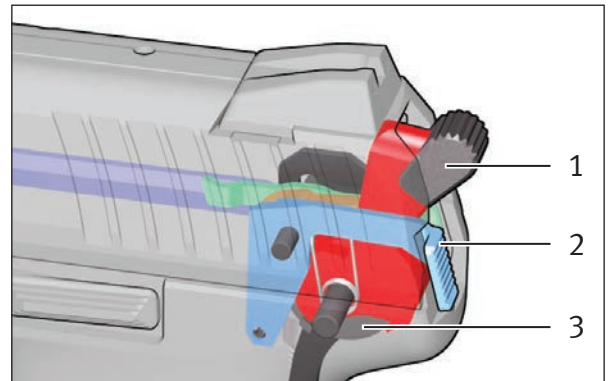


Fig. 16a: CDA/DA

- 1 Hammer with spur
- 2 Decocking lever
- 3 Cocking piece

### 4.4.2 SA/DA

Weapons with the Single Action / Double Action (SA/DA) trigger mode are cocked after a round is chambered or after a round is fired. This results in a light trigger pull. If a cocked weapon is decocked using the decocking lever (16b-2), the trigger pull becomes heavier, because the weapon has to be fired in DA mode on the next round. Alternatively the weapon can also be cocked again manually.

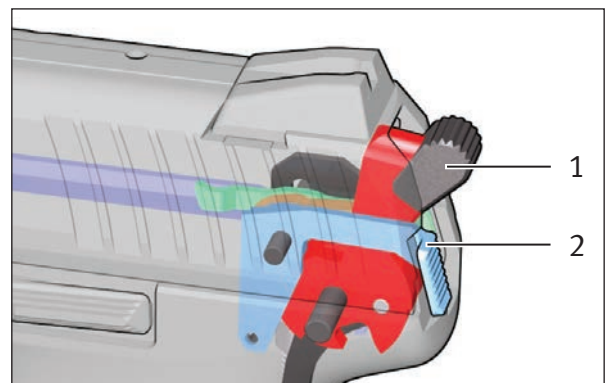


Fig. 16b: SA/DA

- 1 Hammer with spur
- 2 Decocking lever

#### 4.4.3 CDA

Weapons with the Combat Defence Action (CDA) trigger mode are partially cocked after a round is chambered or after a round is fired. This results in a constant light trigger pull.

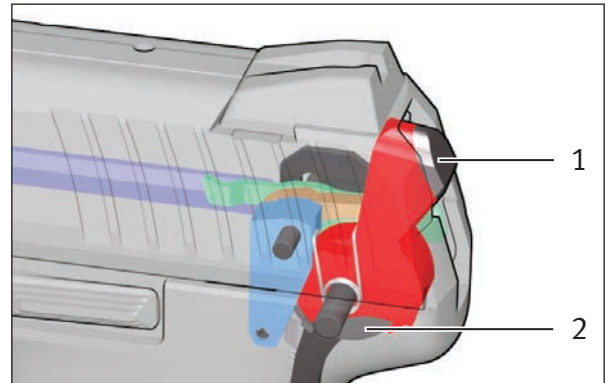


Fig. 17a: CDA

- 1 Hammer without spur
- 2 Cocking piece

#### 4.4.4 DAO

Weapons with the Double Action Only (DAO) trigger mode are uncocked after a round is chambered or after a round is fired. This results in a constant heavy trigger pull.

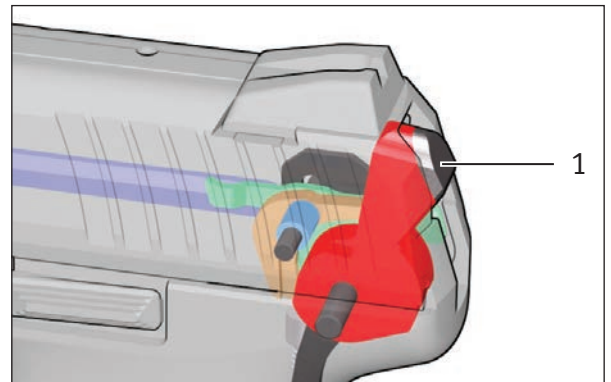


Fig. 17b: DAO

- 1 Hammer without spur

## 4.5 Sequence of functions for firing

Depending on the variant, pulling the trigger (*1a-9*) activates the hammer (*13a-5*) or the cocking piece (*13a-7*) and hammer. The hammer strikes the firing pin (*13a-3*). The firing pin strikes the cartridge primer. The cartridge is ignited.

Once the cartridge is ignited, the positively locked barrel/slide assembly (*1a-1, 11a-4*) is pushed in reaction to the motion of the bullet. Still locked together, the barrel/slide assembly moves to the rear against the force of the recoil spring (*13a-9*). After recoiling together for a short distance, the barrel is unlocked from the slide. The barrel tilts due to the control surfaces on the barrel shoulder (*13a-1*) and those on the recoil spring guide rod (*13a-8*). The slide recoils by itself, extracts and ejects the cartridge case to the right, and cocks the cocking piece or the hammer, depending on the variant. The stop sleeve (*13a-10*) limits and dampens the slide's recoil.

Upon completion of the recoil, the compressed recoil spring pushes the slide forwards again. The slide feeds another cartridge from the magazine into the chamber (*13a-2*). A short time before the end of the forward travel of the slide, the control surface of the recoil spring guide rod pushes the barrel upwards and locks it with the slide.

The weapon reloads itself each time a round is fired until the magazine is empty. After the last cartridge in the magazine is fired, the slide release (*1a-2*) locks the slide in the open position.

## 5 Cleaning kit and auxiliary materials

### 5.1 Cleaning kit



The cleaning kit is not included in the standard scope of supply for the weapon. The cleaning kit can be ordered from Heckler & Koch using the Ident.-No. shown.



Fig. 19a: Cleaning kit (Ident.-No. 988426)

- |   |                            |   |                       |
|---|----------------------------|---|-----------------------|
| 1 | Container for cleaning kit | 5 | Pull-through holder   |
| 2 | Handle                     | 6 | Wool pull-through     |
| 3 | Extension rod              | 7 | Oil brush             |
| 4 | Oil bottle                 | 8 | Barrel cleaning brush |

## 5.2 Auxiliary materials

---



Auxiliary materials are available from specialist dealers.

Required auxiliary materials are listed at the beginning of each section.

---

The following auxiliary materials are required in this manual:

- Pin punch Ø 2.8 mm
- Adjusting tool
- Grease
- Low-temperature oil (MIL-L-14107), e.g. O-157
- Oil (MIL-L-46000), e.g. S-761, OX24
- Oil paper
- Cleaning rags
- Cleaning pull-throughs

**Part II**

**Handling**



## 6 Checks

### 6.1 Carrying out a safety check



Successful completion of a safety check verifies that there is no ammunition in the weapon. The safety check is especially important when giving or taking a weapon and when you are unsure whether or not a weapon is loaded.

1. Remove magazine (*Section 8.5*).
2. Pull slide (*1a-1*) back completely and hold it there (*23a-A*).
3. Press slide release (*1a-2*) upwards to lock slide (*23a-B*).

#### **⚠ CAUTION**

**Risk of injury when the slide snaps forwards!**

**The slide snaps forwards when the slide release is pushed down.**

› Do not reach into the path of the slide.

4. Look into the chamber (*23a-C*). There must not be any cartridge in the chamber. If there is a cartridge in the chamber, then a fault is present (*Section 10*). »

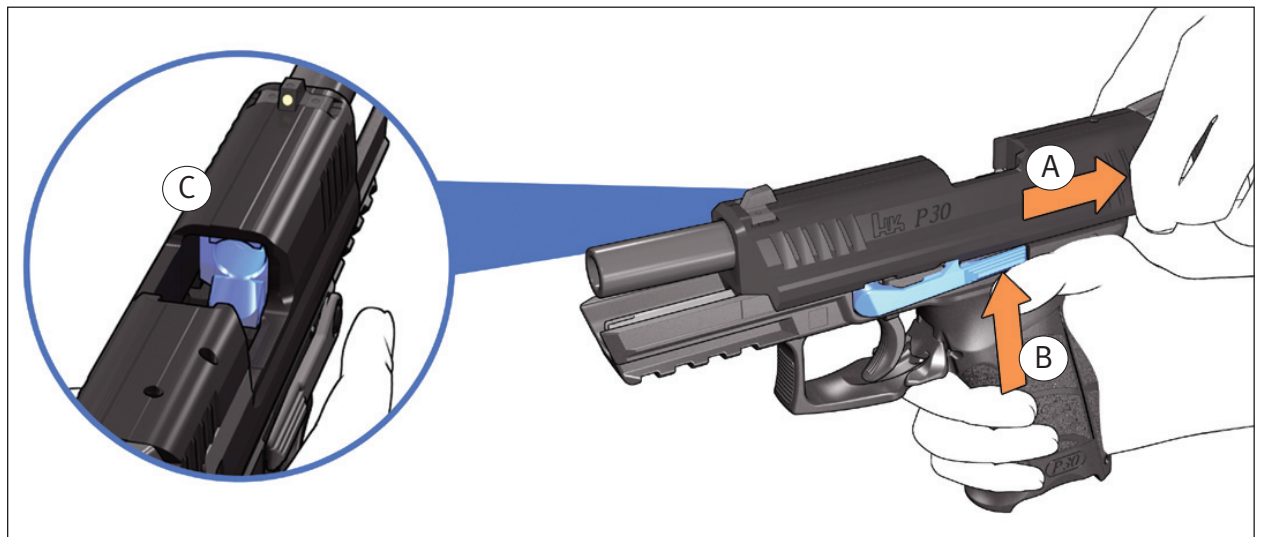


Fig. 23a: Carrying out a safety check

5. Press the slide release downwards. The slide snaps forwards.  
Only for weapons with a decocking lever (*la-4*) (step 6.)
6. Press decocking lever.

## 6.2 Carrying out a function check



Successful completion of a function check verifies that the weapon is functional. The function check is especially important after assembly of the weapon and after rectification of faults.

1. Insert empty magazine into the weapon until the magazine release (*la-8*) engages.
2. Verify that the magazine is firmly seated.
3. Pull slide (*la-1*) back completely. The slide release (*la-2*) holds the slide in the open position.

### **⚠ CAUTION**

**Risk of injury when the slide snaps forwards!**

**The slide snaps forwards when the slide release is pushed down.**

› Do not reach into the path of the slide.

4. Press the slide release downwards. The slide snaps forwards.
5. Remove magazine (*Section 8.5*).
6. Press and hold trigger (*la-9*). The hammer (*la-3*) is released.
7. Push hammer forward. The hammer can be pushed forward.
8. Release trigger.
9. Move slide backwards and forwards completely several times.  
Only for weapons without a decocking lever (*la-4*) (step 10.)
10. Push hammer forward. The hammer cannot be pushed forward. »

Only for weapons with a decocking lever (Ia-4) (steps 11. - 12.)

11. Press decocking lever (25a).
12. Push hammer forward. The hammer cannot be pushed forward.

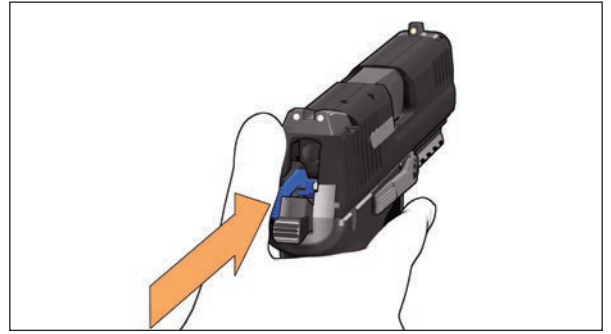


Fig. 25a: Pressing the decocking lever

Only for weapons with a loaded chamber indicator (IIa-2) (steps 13. - 19.)

**⚠ WARNING**

**Risk of injury from gunshot wounds!**

**Using live ammunition for the function check can lead to accidents.**

- › Only use dummy rounds for the function check.
- › Never use live ammunition for the function check.

13. Fill magazine with standard commercial dummy rounds of the correct calibre.
14. Insert magazine into the weapon until the magazine release engages.
15. Pull slide back completely and let it snap forwards.
16. Check function of the loaded chamber indicator.
17. Remove magazine (Section 8.5).
18. Pull slide back completely and let it snap forwards. The dummy cartridge is ejected.

Only for weapons with a decocking lever (Ia-4) (step 19.)

19. Press decocking lever (25a).

## 7 Preparations

### 7.1 Adjusting the grip to the hand



The three exchangeable back straps and grip shells of different heights allow an ergonomically optimal hand position for any hand size. To adjust the grip, the grip shells and the back strap that do not fit have to be removed and grip shells and a back strap that fit installed.

#### 7.1.1 Dismantling the grip shells and the back strap

*Required auxiliary materials:*

- Pin punch  $\varnothing$  2.8 mm
1. Extract roll pin (26a-3) using pin punch.
  2. Push back strap (26a-2) downwards and remove.
  3. Push left grip shell and right grip shell (26a-1) to the rear and remove.

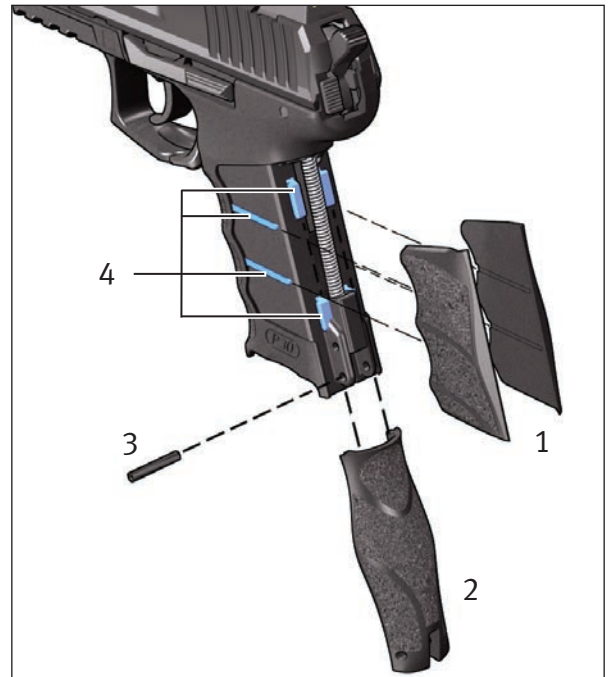


Fig. 26a: Back strap and grip shells

- 1 Grip shells, left and right
- 2 Back strap
- 3 Roll pin
- 4 Guide strips on the grip

### 7.1.2 Assembling the grip shells and the back strap

*Required auxiliary materials:*

- Pin punch  $\varnothing$  2.8 mm

#### **NOTICE**

**Danger of damage to plastic slides!**

**The use of excessive force when assembling grip shells and back strap can damage the plastic guides.**

› Do not use excessive force when assembling the grip shells and back strap.

1. Push left grip shell and right grip shell (26a-1) forwards into the guide strips on the grip (26a-4).
2. Place back strap (26a-2) from the rear onto the guide strips on the grip and push upwards.
3. Insert roll pin (26a-3) using pin punch.

## 7.2 Adjusting the sights



The point of impact also depends on the ammunition. The use of different types of ammunition types can change the elevation and windage of the point of impact. The sights can be adjusted to correct for the changed point of impact.

*Required auxiliary materials:*

- *Adjusting tool*

Point of impact	Corrective measures	Information
	<ol style="list-style-type: none"> <li>1. Remove front sight (IIa-5) using adjusting tool.</li> <li>2. Insert a higher front sight using the adjusting tool.</li> </ol>	<p>The height of the front sight is engraved on the underside of the front sight.</p> <p>Changing the height of the front sight by 0.2 mm changes the point of impact by approx. 3.6 cm at a range of 25 m.</p>
	<ol style="list-style-type: none"> <li>1. Remove front sight (IIa-5) using adjusting tool.</li> <li>2. Insert a lower front sight using the adjusting tool.</li> </ol>	
	<ol style="list-style-type: none"> <li>1. Shift the rear sight (IIa-1) to the right using the adjusting tool.</li> <li>2. If necessary, also shift the front sight to the left using the adjusting tool.</li> </ol>	<p>Lateral shifting of the rear or front sight by 0.2 mm changes the point of impact by approx. 3.6 cm at a range of 25 m.</p>
	<ol style="list-style-type: none"> <li>1. Shift the rear sight (IIa-1) to the left using the adjusting tool.</li> <li>2. If necessary, also shift the front sight to the right using the adjusting tool.</li> </ol>	

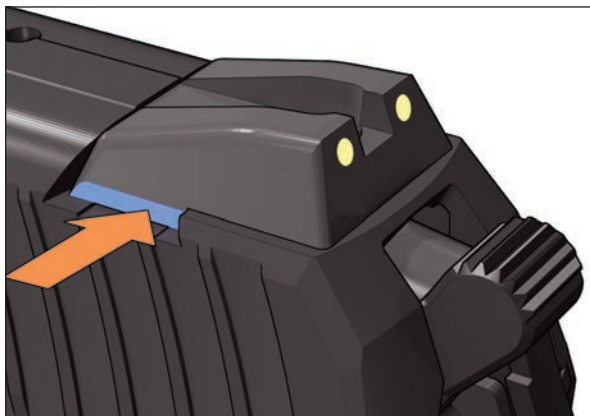


Fig. 28a: Lateral shifting of the rear sight

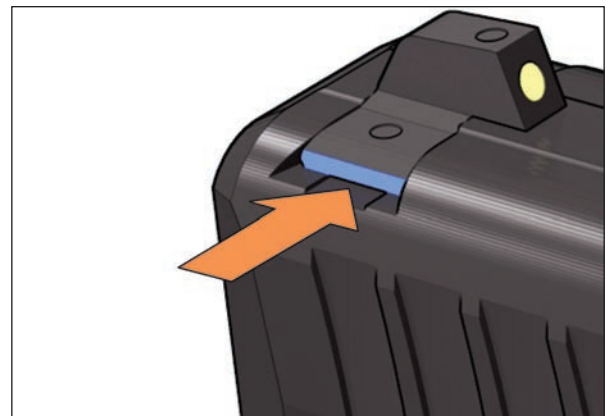


Fig. 28b: Lateral shifting of the front sight

## 7.3 Filling the magazine



The contents of the magazine can be checked via holes in the rear of the magazine.

### NOTICE

**Danger of material damage due to damaged or fouled cartridges!**

**Damaged or fouled cartridges can damage the weapon and cause malfunctions.**

› Do not use damaged or fouled cartridges.

### NOTICE

**Danger of material damage from overfilled magazine!**

**An overfilled magazine can lead to malfunctions.**

› Do not fill the magazine with more than the number of cartridges indicated on the magazine.

### NOTICE

**Danger of material damage from keeping a magazine filled for long periods!**

**Keeping a magazine filled for long periods can damage the magazine spring and cause malfunctions.**

› Empty the magazine before you place the weapon and the magazine in storage (Section 8.9).

### 7.3.1 Filling the magazine without a loading aid

1. Grasp the magazine.
2. Push the cartridges base first under the magazine lips (1a-12) until the magazine is full (29a).

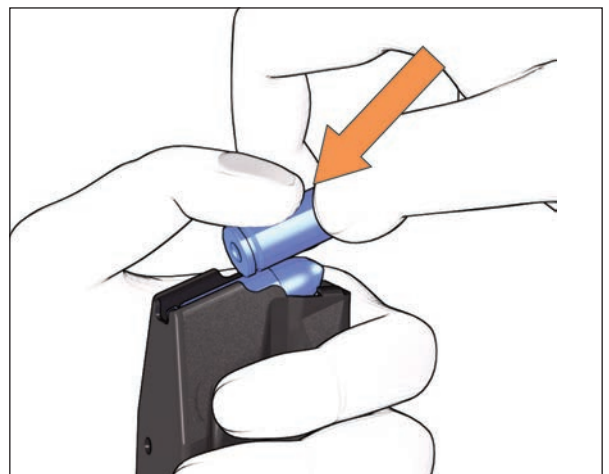


Fig. 29a: Filling the magazine without a loading aid

### 7.3.2 Filling the magazine with a loading aid

1. Place loading aid (30a) on the magazine.
2. Press loading aid downwards and hold it there (30b-A).
3. Push cartridge base first under the magazine lips (1a-12) (30b-B).
4. Lift loading aid (30c-A).
5. Push cartridge all the way to the back (30c-B).
6. Repeat steps 2. - 5. until the magazine is full.



Fig. 30a: Loading aid

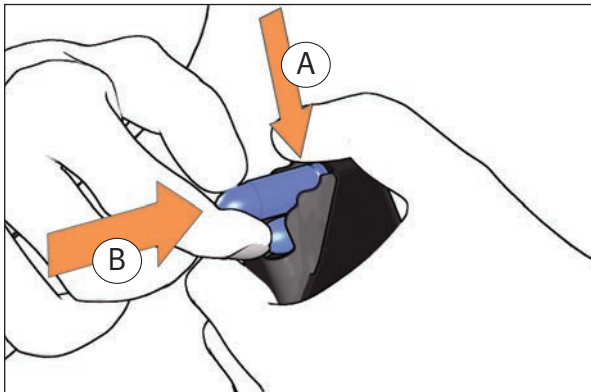


Fig. 30b: Push cartridge under the magazine lips

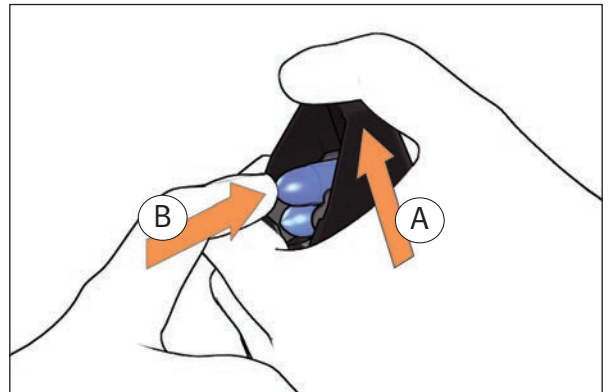


Fig. 30c: Push cartridge to the back

## 7.4 Preparing the weapon for firing

*Required auxiliary materials:*

- *Cleaning pull-throughs*
1. Disassemble the weapon (*Section 9.2*).
  2. Screw together handle (*19a-2*), extension rod (*19a-3*) and pull-through holder (*19a-5*).
  3. Insert clean cleaning pull-throughs into pull-through holder.
  4. Pull clean cleaning pull-throughs through the barrel (*11a-4*) several times until the barrel is free of oil and foreign bodies.
  5. Visually check the weapon for damage.
  6. Assemble the weapon (*Section 9.4*).
  7. Carry out function check (*Section 6.2*).

## 7.5 Additional preparations in unusual climatic conditions



---

High air humidity and ambient temperatures between -25 °C and +63 °C do not require any special measures.

---



---

In cold conditions, freezing condensation can compromise the functional reliability of the weapon. To prevent the formation of freezing condensation, do not bring the weapon from cold conditions into warm conditions and shortly thereafter again into cold conditions.

---

*Required auxiliary materials:*

- *Oil*
  - *Low-temperature oil*
- › At high concentrations of dust or temperatures above +63 °C lubricate the weapon's contact surfaces (*42a*) more heavily.
  - › At temperatures below -25 °C, lubricate all moving parts with low-temperature oil.

## 8 Operation

### 8.1 Inserting the magazine

1. Fill magazine (*Section 7.3*).
2. Insert filled magazine into the weapon until the magazine release (*la-8*) engages.

### 8.2 Chambering a round

**⚠ WARNING**

**Risk of injury from accidental discharge!**

**A weapon with a round in the chamber is always a potential source of danger.**

- › Chamber a round only immediately before firing.
- › Unload the weapon immediately after firing (*Section 8.8*).

1. Insert a magazine into the weapon (*Section 8.1*).
2. Pull slide (*la-1*) back completely and let it snap forwards. A round is chambered and the weapon is ready to fire.



After a round is chambered the weapon is:

- partially cocked: CDA, CDA/DA
  - cocked: SA/DA
  - uncocked: DAO
-

## 8.3 Firing position and aiming

### 8.3.1 Firing position



The two-handed grip is the most stable and provides the best probability of hitting.

#### **WARNING**

**Risk of injury when the slide recoils quickly!**

**During firing, the slide can cause serious injuries, especially to the hands and fingers.**

› Keep your hands out of the path of the slide when firing.

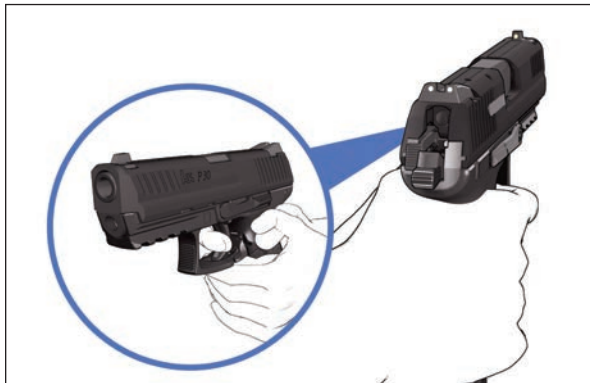


Fig. 33a: Right-handed shooter, two-handed grip

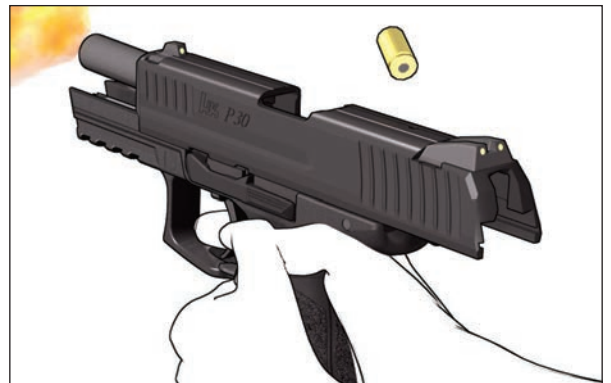
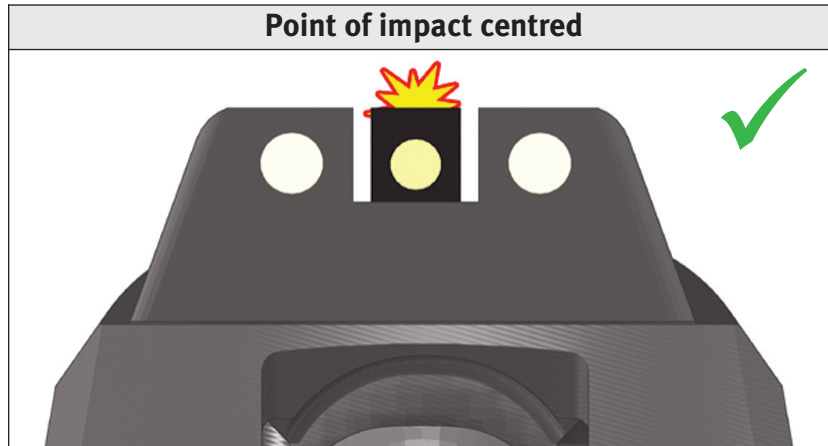


Fig. 33b: Path of the slide

### 8.3.2 Aiming

- Correct aiming



- Aiming errors



## 8.4 Firing



Follow safety instructions for firing (*Section 2.3*).

1. Prepare weapon for firing (*Section 7.4*).
2. Chamber a round (*Section 8.2*).
3. Aim (*Section 8.3.2*).

### **WARNING**

**Risk of injury when the slide recoils quickly!**

**During firing, the slide can cause serious injuries, especially to the hands and fingers.**

- › Keep your hands out of the path of the slide when firing.

4. Press trigger (*1a-9*). The cartridge is ignited.

## 8.5 Removing the magazine

1. Hold your hand under the magazine.

### **NOTICE**

**Danger of material damage from dropping the magazine!**

**Dropping the magazine can damage the magazine lips (*1a-12*) and cause malfunctions.**

- › Remove the magazine by hand.
- › Avoid impacts on the magazine lips.

2. Press magazine release (*1a-8*).
3. Remove magazine.

## 8.6 Reloading the weapon

### WARNING

**Risk of injury from accidental discharge!**

**A weapon with a round in the chamber is always a potential source of danger.**

- › Reload the weapon only immediately before firing.
- › Unload the weapon immediately after firing (*Section 8.8*).



After the last cartridge in the magazine is fired, the slide release locks the slide in the open position.

1. Remove magazine (*Section 8.5*).
2. Insert a magazine into the weapon (*Section 8.1*).
3. Press slide release (*1a-2*) downwards. The slide (*1a-1*) snaps forwards. A round is chambered and the weapon is ready to fire.

## 8.7 Decocking the weapon



Only partially cocked or cocked weapons with the trigger mode CDA/DA or SA/DA can be decocked. Weapons with the trigger mode DAO are always uncocked. Weapons with the trigger mode CDA are always partially cocked.

### WARNING

**Risk of injury from accidental discharge!**

**Decocking using the trigger can discharge a round.**

- › Only decock the weapon using the decocking lever.
- › Press decocking lever (*1a-4*).

## 8.8 Unloading the weapon

1. Remove magazine (*Section 8.5*).
2. Pull slide (*1a-1*) back completely and hold it there (*37a-A*). A cartridge is ejected.
3. Press slide release (*1a-2*) upwards to lock slide (*37a-B*).

### **⚠ CAUTION**

**Risk of injury when the slide snaps forwards!**

**The slide snaps forwards when the slide release is pushed down.**

› Do not reach into the path of the slide.

4. Look into the chamber. There must not be any cartridge in the chamber. If there is a cartridge in the chamber, then a fault is present (*Section 10*).
5. Press the slide release downwards. The slide snaps forwards.

Only for weapons with a decocking lever (*1a-4*) (step 6.)

6. Press decocking lever (*25a*).

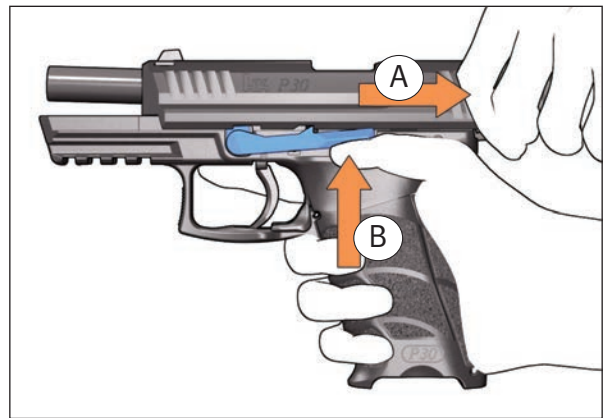


Fig. 37a: Pull slide back and lock it

## 8.9 Emptying the magazine

### **⚠ WARNING**

**Risk of injury from igniting the cartridges!**

**Impacts to the primer can ignite the cartridge.**

- › Push the cartridges into your hand when you empty the magazine.
  - › Prevent any impacts to the primer.
  - › Prevent cartridges from falling.
- 
- › Push cartridges forwards out of the magazine (38a).

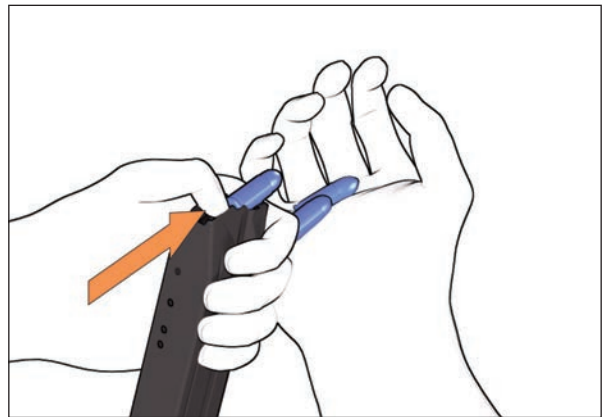


Fig. 38a: Emptying the magazine

## 9 Cleaning

### 9.1 General instructions for cleaning



Regular cleaning and care of the weapon and accessories

- maintain functional reliability,
- increase service life,
- prevent accidents, and
- save repair costs and time.

- › Clean weapon each time it is fired and at intervals of 1000 rounds.

#### **NOTICE**

**Danger of material damage from the use of excessive force!**

**The use of excessive force during disassembly, cleaning and assembly can damage the weapon.**

- › Do not use excessive force when disassembling, cleaning and assembling the weapon.

### 9.2 Disassembling the weapon

#### **⚠ WARNING**

**Risk of injury from improperly assembled weapon!**

**Improper assembly can compromise the safety and function of the weapon.**

- › Only disassemble the weapon to the extent described in this manual.

1. Carry out safety check (*Section 6.1*).
2. Pull slide (*1a-1*) back completely and hold it there (*40a-A*). »

3. Press slide release (1a-2) upwards to lock slide (40a-B).

**⚠ CAUTION**

**Risk of injury when the slide snaps forwards!**

**The slide snaps forwards when the slide release is pushed down.**

› Do not reach into the path of the slide.

4. Hold the weapon so that your thumb covers the rear of the frame and your fingers rest on the top of the slide (40b).
5. Pull slide back and move it to the front as far as the disassembly position (40b-4, 40b-A).
6. Using your free hand, press the slide release axle in from right to left (40b-B).
7. Pull slide release to the left until it reaches the locking position. »

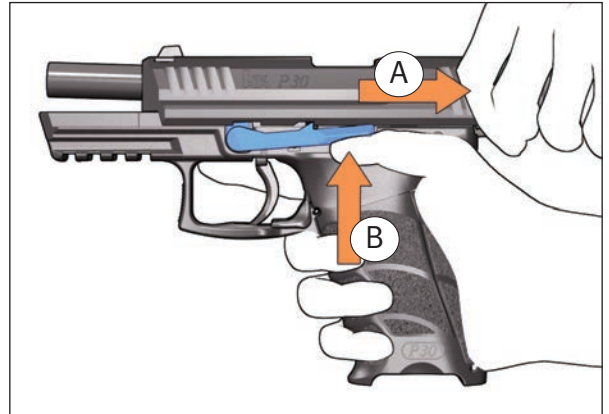


Fig. 40a: Pull slide back and lock it

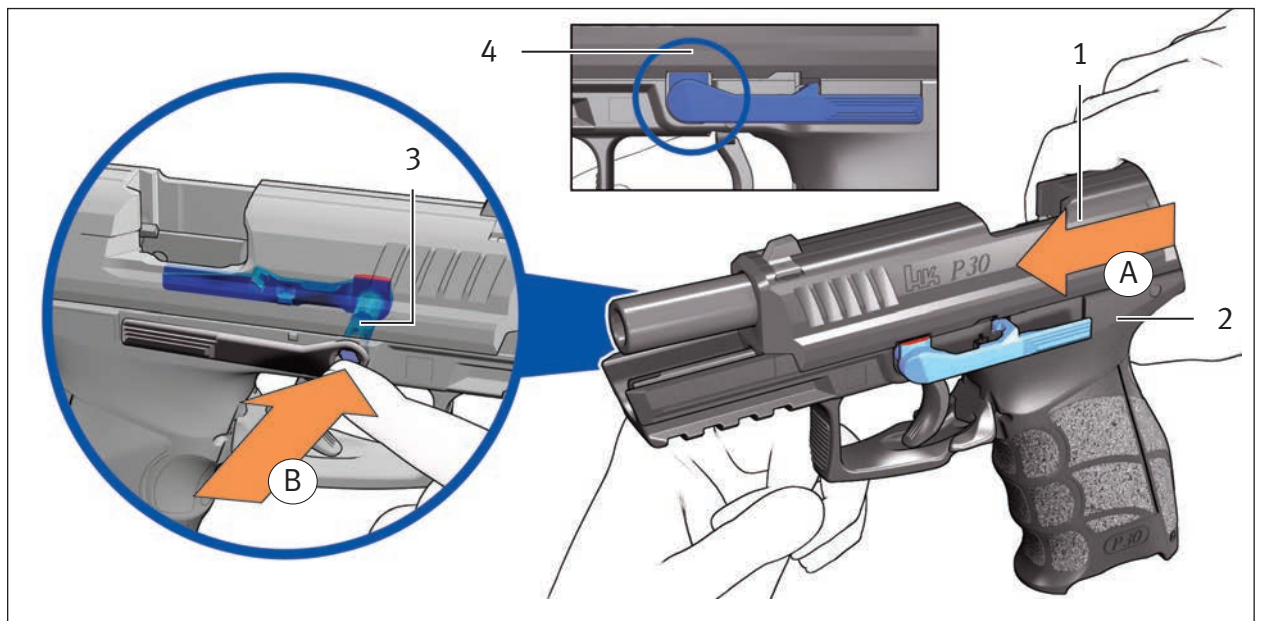


Fig. 40b: Pressing in slide release axle

- 1 Slide
- 2 Frame

- 3 Slide release axle
- 4 Disassembly position

8. Pull slide forwards off the frame (41a).
9. Press recoil spring forwards, lift and remove from slide (41b).
10. Lift barrel (IIa-4), push forwards and remove from slide backwards.

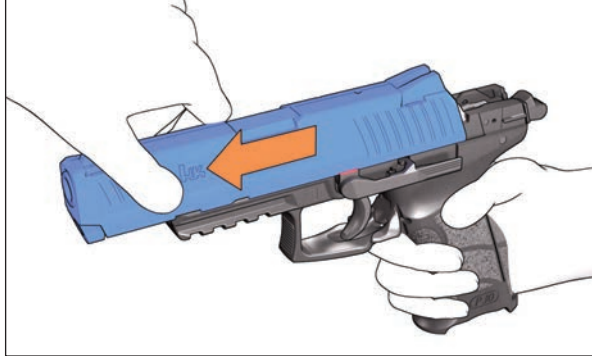


Fig. 41a: Removing slide from frame

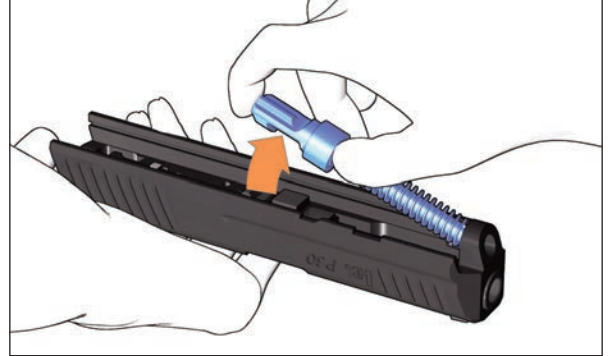


Fig. 41b: Pull slide back and lock it

### 9.3 Cleaning the weapon

Required auxiliary materials:

- Oil
- Cleaning rag
- Cleaning pull-throughs



Clean barrel from the chamber to the muzzle.

#### **NOTICE**

**Danger of material damage from incorrect cleaning agents and care products!**

**Incorrect cleaning agents and care products can damage the weapon.**

- › When cleaning the weapon, use the specified cleaning agents.
- › Do not use any metallic objects, plastics (nylon, etc.) or chemical cleaning agents (benzine, tetrachlorethylene, trichlor, etc.) to clean the weapon.
- › Do not clean the weapon in an ultrasonic bath.

1. Disassemble the weapon (Section 9.2). »

2. Visually check the weapon for damage.
3. Clean fouled parts and surfaces on the frame (IIa-8) and slide (Ia-1) using cleaning rag.
4. Oil cleaned metal parts lightly.
5. Screw together handle (19a-2), extension rod (19a-3) and barrel cleaning brush (19a-8).
6. Pull oiled barrel cleaning brush through the barrel several times.
7. Replace barrel cleaning brush with pull-through holder (19a-5).
8. Insert clean cleaning pull-throughs into pull-through holder.
9. Pull clean cleaning pull-throughs through the barrel several times until the barrel is free of oil and foreign bodies.
10. Replace pull-through holder with oil brush (19a-7).
11. Pull lubricated oil brush through the barrel.
12. Lubricate the inside of the slide, especially the guideways (42a-1).
13. Lubricate outer bearing surface of the barrel (42a-2).
14. Lubricate recoil spring guide rod (42a-3).
15. Lubricate guide strips on the frame (42a-4).
16. Clean magazine and follower (Ia-11) using cleaning rag.

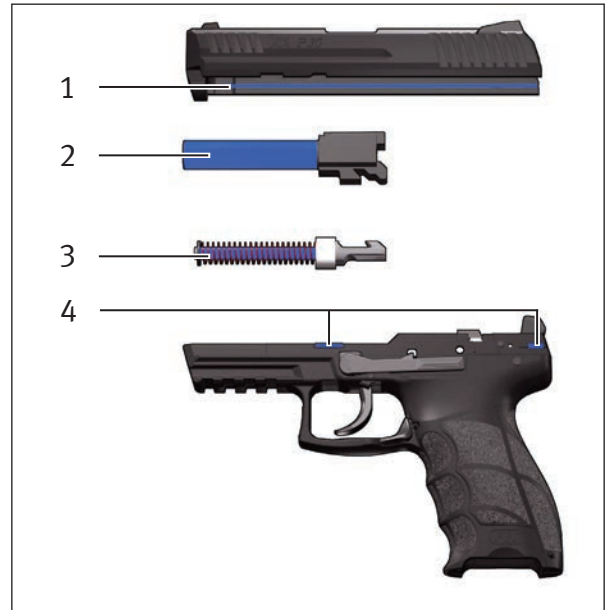


Fig. 42a: Weapon's contact surfaces

- 1 *Guideways on the slide*
- 2 *Outer bearing surface of the barrel*
- 3 *Recoil spring guide rod*
- 4 *Guide strips on the frame*

### NOTICE

#### **Danger of material damage from lubricated cartridges!**

**Lubricated cartridges result in increased loads on components and can damage the weapon.**

- › Do not lubricate the inside of the magazine.

17. Oil outside of magazine lightly.
18. Assemble the weapon (Section 9.4).

## 9.4 Assembling the weapon

1. Place barrel (IIa-4) in the slide (Ia-1).
2. Push barrel to the rear until the barrel engages with the slide.
3. Slide recoil spring guide rod into hole on the front side of the slide.
4. Push recoil spring guide rod forwards against the pressure of the recoil spring and hold it (43a-A).
5. Swivel recoil spring guide rod downwards (43a-B).
6. Set slide onto the frame from above and push to the rear (43c).
7. Pull slide back as far as the disassembly position (40b-4) and hold it there.
8. Press slide release (Ia-2) into the frame from the left.
9. Carry out function check (Section 6.2).

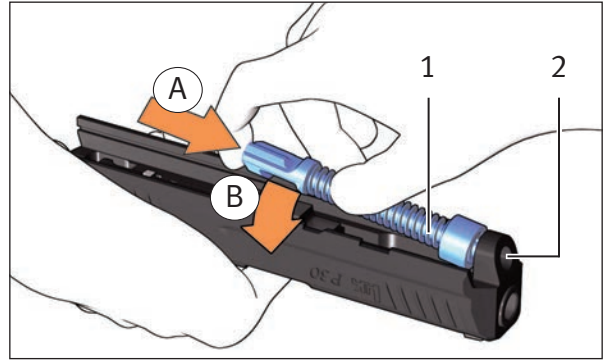


Fig. 43a: Inserting the recoil spring

- 1 Recoil spring
- 2 Hole on the front side of the slide

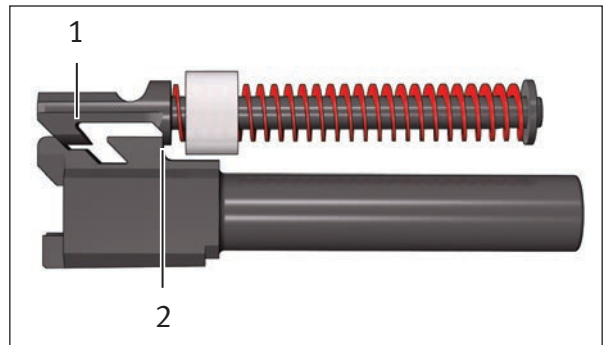


Fig. 43b: Position of recoil spring guide rod - barrel

- 1 Recoil spring guide rod
- 2 Front side of the barrel control surface

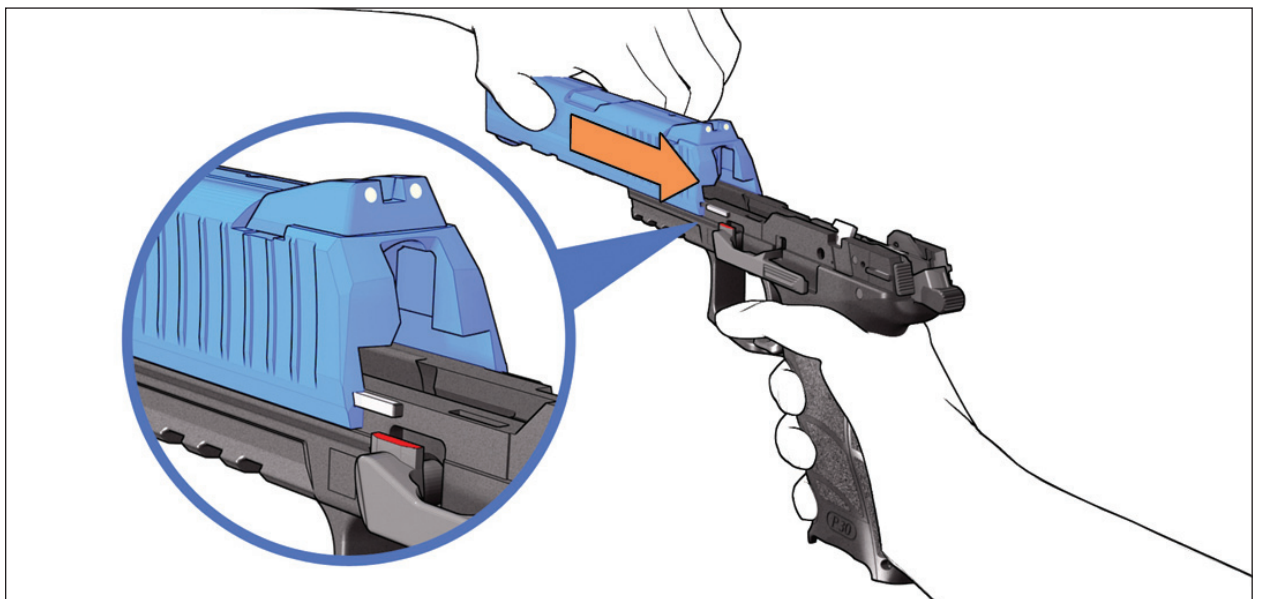


Fig. 43c: Pushing the slide onto the frame

## 10 Faults: Causes and remedies



Users are strictly prohibited from troubleshooting faults that go beyond the scope of this manual! Only authorised specialists may troubleshoot faults in the weapon.

### **⚠ WARNING**

**Safety risk from not knowing whether or not the weapon is loaded!**

**In the event of a fault, the weapon may be loaded even if you expect that it is unloaded.**

- › In the event of a fault, treat the weapon as if there were a round in the chamber.
- › In the event of a fault, verify whether the weapon is actually loaded.
- › Follow the fundamental safety instructions (*Section 2*) for rectifying faults.

The following points do not constitute a complete list of all the possible faults. Causes other than those named here are also possible.

Faults	Cause	Remedy
Bullet is stuck in the barrel.	Improperly loaded ammunition.	Send weapon in for repair.
Cartridge has not fired.	Defective ammunition.	Wait at least one minute. Unload weapon ( <i>Section 8.8</i> ). Do not re-use cartridges that have failed to fire.
	Firing pin sluggish, damaged or broken.	Send weapon in for repair.
	Hammer spring defective.	Send weapon in for repair.
Slide does not open after firing.	Cartridge jams in chamber as the cartridge is deformed or the chamber is fouled.	Unload weapon ( <i>Section 8.8</i> ). Clean chamber if necessary.
	Defective ammunition.	

<b>Faults</b>	<b>Cause</b>	<b>Remedy</b>
Cartridge or cartridge case is not ejected.	Slide recoil too short.	Unload weapon ( <i>Section 8.8</i> ). Carry out function check ( <i>Section 6.2</i> ). Clean chamber if necessary.
	Ammunition incorrectly loaded.	Use different ammunition.
	Extractor or extractor spring damaged.	Send weapon in for repair.
Cartridge is not loaded into the chamber.	Chamber is fouled.	Unload weapon ( <i>Section 8.8</i> ). Clean weapon ( <i>Section 9.3</i> ).
	Cartridge deformed.	Use different cartridge.
	Recoil spring defective.	Send weapon in for repair.
Cartridge does not feed.	Magazine spring defective.	Send magazine in for repair.
	Magazine or magazine lips damaged.	Use different magazine.
Slide does not stay in the open position after last round.	Magazine spring defective.	Send magazine in for repair.
	Slide recoil too short.	Carry out function check ( <i>Section 6.2</i> ). Clean chamber if necessary.
	Slide release damaged.	Send weapon in for repair.
	Ammunition incorrectly loaded.	Use different ammunition.
Windage of point of impact changed.	Sights shifted.	Adjust sights ( <i>Section 7.2</i> ).
	Other type of ammunition.	Use another type of ammunition or adjust sights ( <i>Section 7.2</i> ).
Elevation of point of impact changed.	Front sight damaged.	Send weapon in for repair.
	Other type of ammunition.	Use another type of ammunition or adjust sights ( <i>Section 7.2</i> ).

## 11 Protection, packaging and storage



Protection guards the weapon against external influences and maintains the functional reliability of the weapon even if it is not used for long periods. Whenever the weapon is expected to be stored for more than six months, the weapon must be protected.

If the weapon is expected to be stored for not more than six months, then it is sufficient to clean the weapon (*Section 9.3*).

### 11.1 Protecting the weapon

*Required auxiliary materials:*

- Grease
- Oil
- Oil paper
- Cleaning rag
- Cleaning pull-throughs



Clean barrel from the chamber to the muzzle.

#### **NOTICE**

**Danger of material damage from incorrect cleaning agents and care products!**

**Incorrect cleaning agents and care products can damage the weapon.**

- › When cleaning the weapon, use the specified cleaning agents.
- › Do not use any metallic objects, plastics (nylon, etc.) or chemical cleaning agents (benzine, tetrachlorethylene, trichlor, etc.) to clean the weapon.
- › Do not clean the weapon in an ultrasonic bath.

1. Disassemble the weapon (*Section 9.2*).
2. Visually check the weapon for damage. >>

3. Clean fouled parts and surfaces on the frame (*11a-8*) and slide (*1a-1*) using cleaning rag.
4. Oil cleaned metal parts lightly.
5. Screw together handle (*19a-2*), extension rod (*19a-3*) and barrel cleaning brush (*19a-8*).
6. Pull oiled barrel cleaning brush through the barrel (*11a-4*) several times.
7. Replace barrel cleaning brush with pull-through holder (*19a-5*).
8. Insert clean cleaning pull-throughs into pull-through holder.
9. Pull clean cleaning pull-throughs through the barrel several times until the barrel is free of oil and foreign bodies.
10. Replace pull-through holder with wool pull-through (*19a-6*).
11. Pull greased wool pull-through through the barrel.
12. Seal both ends of the barrel with grease.
13. Lubricate the inside of the slide, especially the guideways (*42a-1*).
14. Lubricate outer bearing surface of the barrel (*42a-2*).
15. Lubricate recoil spring guide rod (*42a-3*).
16. Lubricate guide strips on the frame (*42a-4*).
17. Clean magazine and follower (*1a-11*) using cleaning rag.
18. Oil outside of magazine lightly.

#### **NOTICE**

**Danger of material damage from lubricated cartridges!**

**Lubricated cartridges can damage the weapon.**

› Do not lubricate the inside of the magazine.

19. Assemble the weapon (*Section 9.4*).
20. Wrap weapon in oil paper.

## 11.2 Packaging the weapon

1. Unload weapon (*Section 8.8*).
2. Empty magazine (*Section 8.9*).
3. Pack weapon in the appropriate transport container.

## 11.3 Storing the weapon

---



Store the weapon and ammunition separately.

---

1. Follow applicable regulations for the storage of weapons and ammunition.
2. Whenever the weapon is expected to be stored for more than six months, protect the weapon (*Section 11.1*).
3. Whenever the weapon is not expected to be stored for more than six months, clean the weapon (*Section 9.3*).
4. Package weapon (*Section 11.2*).
5. Store the weapon in an enclosed, weather resistant room.

### **⚠ WARNING**

**Danger of accidents from unauthorised persons!**

**Unauthorised persons who have no experience with weapons can cause accidents.**

- › Be sure to prevent access to the weapon and ammunition by unauthorised persons, especially children.

6. Protect rooms where weapons are stored against break-in and fire.

Whenever the weapon is stored for more than one year:

7. Check the grease seal on the barrel and the oil film on the metal parts once per year.

## 12 Transport and shipping

### 12.1 Preparing the weapon for transport



Transport weapon and ammunition separately.

1. Follow applicable regulations for the transport of weapons and ammunition.
2. Package weapon (*Section 11.2*).
3. Secure weapon on vehicle.

#### **NOTICE**

**Danger of material damage from vibrations!**

**Vibrations during transport can damage the weapon.**

- › During transport, secure the transport container against slipping and damage from outside influences.
- › Avoid impacts and vibration of the weapon.

### 12.2 Shipping the weapon



Ship weapon and ammunition separately.

1. Follow applicable regulations for the storage of weapons and ammunition.
2. Package weapon (*Section 11.2*).
3. Pack weapon in an inconspicuous carton.
4. Note sender and recipient on the package.
5. Affix sufficient postage to package.
6. Ship weapon.

## 13 Disposal

1. Follow applicable regulations for the storage of weapons and ammunition.
2. Write a letter containing the following information:
  - your name
  - your address
  - your telephone number
  - product designation and serial number (*I/a-3*)
  - note that the weapon should be disposed of
3. Send weapon and letter together to the point of sale where the weapon was purchased (*Section 12.2*).



Alternatively the package can be sent to the following address:

Heckler & Koch GmbH  
Heckler & Koch-Strasse 1  
78727 Oberndorf/N.  
Germany

---



## Functional elements - right side view



The illustrations on the front and back fold-out pages show the functional elements of the weapon from the left and right sides. The text refers frequently to these illustrations. Opening the fold-out pages while reading will make it easier to understand the text.



Fig. IIa: P30, right side view

- |   |                                      |   |                      |
|---|--------------------------------------|---|----------------------|
| 1 | Rear sight                           | 6 | Trigger guard        |
| 2 | Extractor / loaded chamber indicator | 7 | Slide release, right |
| 3 | Serial number                        | 8 | Frame                |
| 4 | Barrel                               | 9 | Grip shell, right    |
| 5 | Front sight                          |   |                      |

Pistol	P30	P30 V1	P30 V2	P30 V3	P30 V4	P30 V6
Calibre	9 mm x 19					
Functional principle	Recoil-operated					
Locking system	Modified Browning locking system					
Magazine capacity	10 <sub>5</sub> / 15 rounds					
Trigger system	CDA/DA <sub>3</sub>	CDA	CDA	SA/DA <sub>3</sub>	CDA	DAO
<b>Dimensions</b>						
Length	181 mm / 196 mm <sub>4</sub> / 163 mm <sub>5</sub>					
Width	34.8 mm					
Height	138 mm / 116 mm <sub>5</sub>					
Barrel length	98 mm / 113 mm <sub>4</sub> / 83 mm <sub>5</sub>					
Sight radius	148.5 mm / 163.5 mm <sub>4</sub> / 136 mm <sub>5</sub>					
<b>Weights</b>						
Weapon with magazine <sub>1</sub>	approx. 740 g / 780 g <sub>4</sub> / 680 g <sub>5</sub>					
Magazine 10 <sub>5</sub> / 15 cartridges, empty	approx. 77 g <sub>5</sub> / 93 g					
<b>Other data</b>						
Trigger pull (approx.)	24/51 N	24 N	32.5 N	24/51 N	27.5 N	39 N
Trigger travel, single-action (approx.)	-- <sub>6</sub>	-- <sub>6</sub>	-- <sub>6</sub>	7 mm	-- <sub>6</sub>	--
Trigger travel, double-action (approx.)	14 mm					
Muzzle velocity -v <sub>0-2</sub>	approx. 360 m/s / 370 m/s <sub>4</sub> / 345 m/s <sub>5</sub>					
Muzzle energy -E <sub>0-2</sub>	approx. 520 J / 550 J <sub>4</sub> / 480 J <sub>5</sub>					
Barrel profile / twist	Hexagonal / right-hand					

<sup>1</sup> Magazine empty

<sup>2</sup> DM51 ammunition

<sup>3</sup> after the decocking lever is pressed

<sup>4</sup> P30L

<sup>5</sup> P30SK

<sup>6</sup> For strings of rapid fire, it is not necessary to release the trigger to the starting position. It is sufficient to release the trigger approx. 7 mm to fire the next round.

## Technical Data





Heckler & Koch GmbH  
Heckler & Koch-Str. 1  
78727 Oberndorf/N., Germany

☎ +49 (0) 74 23 / 79-0  
☎ +49 (0) 74 23 / 79-23 50

✉ TD@heckler-koch-de.com  
🌐 www.heckler-koch.com